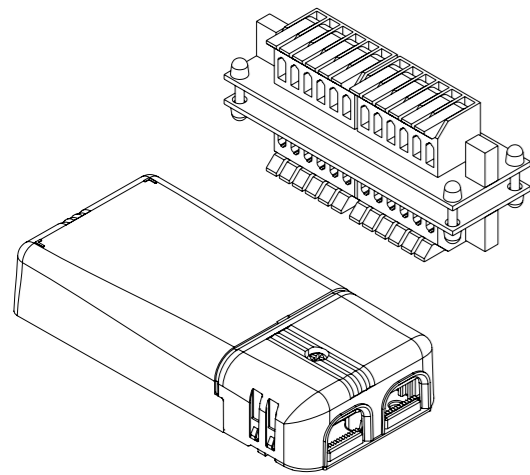
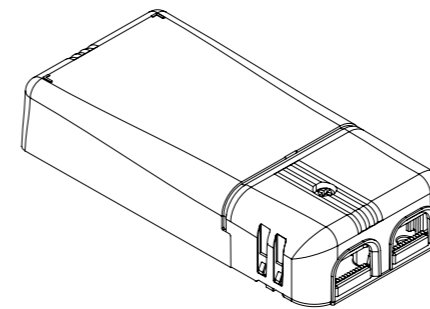


PSU (POWER SUPPLY UNIT) KITS FOR JACKIE O/GOLD MOON/SYPHASPOT/SPOTLIGHT IC-JC



By means of the PSU kit, multiple LED lamps can be controlled simultaneously through a connection board connected to a driver.
 The basic board can connect up to 12 lamps; we can combine 2 boards to connect up to 24 lamps.
 It is advisable to install the kit in a technical compartment at a maximum distance of about 5 meters from the point of installation of the jacks or tensioners, in order to avoid voltage drops.
 The technical compartment must be located in an easily accessible place and large enough to accommodate both the wired multiple connection board and the power supply.

DRIVERS @24V DC FOR PEPITA 65 / PEPITA 102 / JACKIE O / GOLD MOON / SYPHASPOT / SPOTLIGHT



By means of the driver, multiple LED lamps can be controlled simultaneously. In the event of a failure of even a single lamp, the other lamps continue working properly.
 It is advisable to install the driver in a technical compartment accessible for inspection at a maximum distance of about 5 meters from the point of installation of the lamps, in order to avoid voltage drops.
 The technical compartment must be located in an easily accessible place and large enough to accommodate the power supply.

PSU KITS	
K9WS12	20W driver kit 220-240V (with ED9)
	lamps quantity: min 3 / max 12 x1,1W or min 3 / max 12 x1,2W
	Triac dimmable
	driver dimensions 11x5,2x2,2 cm
K10WS12	20W driver kit 110-240V (with ED10)
	lamps quantity @240V: min 2 / max 12 x1,1W or min 2 / max 12 x1,2W lamps quantity @110V: min 2 / max 12 x1,1W or min 2 / max 11 x1,2W
	1...10V or PUSH dimmable
	driver dimensions 11x5,2x2,2 cm
K11WS12	20W driver kit 110-240V (with ED11)
	lamps quantity @240V: min 2 / max 12 x1,1W or min 2 / max 12 x1,2W lamps quantity @110V: min 2 / max 12 x1,1W or min 2 / max 12 x1,2W
	DALI dimmable
	driver dimensions 11x5,2x2,2 cm
K12WS24	30W driver kit 220-240V (with ED12)
	lamps quantity: min 13 / max 24 x1,1W or min 13 / max 22 x1,2W
	Triac dimmable
	driver dimensions 18x6x3,5 cm
K13WS24	36W driver kit 110-240V (with ED13)
	lamps quantity @240V: min 13 / max 24 x1,1W or min 13 / max 24 x1,2W lamps quantity @110V: min 13 / max 24 x1,1W or min 13 / max 22 x1,2W
	DALI or PUSH dimmable
	driver dimensions 16,5x4,1x3,5 cm

DRIVERS @24V DC	
ED9	rated voltage 220-240V
	rated output 20W lamps quantity: min 3 / max 13 x1,1W or min 3 / max 12 x1,2W
	Triac dimmable
	dimensions 11x5,2x2,2 cm
ED11	rated voltage 110-240V
	rated output 15W @110V // lamps quantity: min 2 / max 12 x1,1W or min 2 / max 11 x1,2W rated output 16W @240V // lamps quantity: min 2 / max 12 x1,1W or min 2 / max 11 x1,2W
	DALI dimmable
	dimensions 11x5,2x2,2 cm
ED14	rated voltage 110-240V
	rated output 4W lamps quantity: min 1 / max 3 x1,1W or min 1 / max 2 x1,2W
	not dimmable
	dimensions 4x2,7x2,1 cm